

NOTES

FILE NAME: 190607-S1_SD29_12 GALLARDO 3PT_28 RL (397600-604,397654-661,397722-397727)

CONTACT TURTLE TOP AT 800-269-2105 FOR AVAILABILITY OF THIS FLOOR LAYOUT IF DRAWING DATE HAS EXCEEDED 90 DAYS. DATE: 11/26/2025

= USB A & C COMBO CHARGING PORT

DRIVER SIDE: 38.125 / 29 / 2 / 2-3-4 / 11.875 / 4 = EGRESS WINDOW
WINDOW SPACING: STANDARD VISTA HEIGHT ELITE TOP "T" SLIDERS
 PASSENGER SIDE: 38.125 / 29 / 2 / 2-3 / 5.125 / 36.75 / 1 / 4

DRAFTSMAN NOTES:
 THIS DRAWING AND THE INFORMATION CONTAINED THEREON ARE THE EXCLUSIVE PROPERTY OF TURTLE TOP AND SHALL NOT BE COPIED OR DUPLICATED IN ANY MANNER WITHOUT OUR WRITTEN CONSENT
 *SCENIC WINDOW OVER CAB

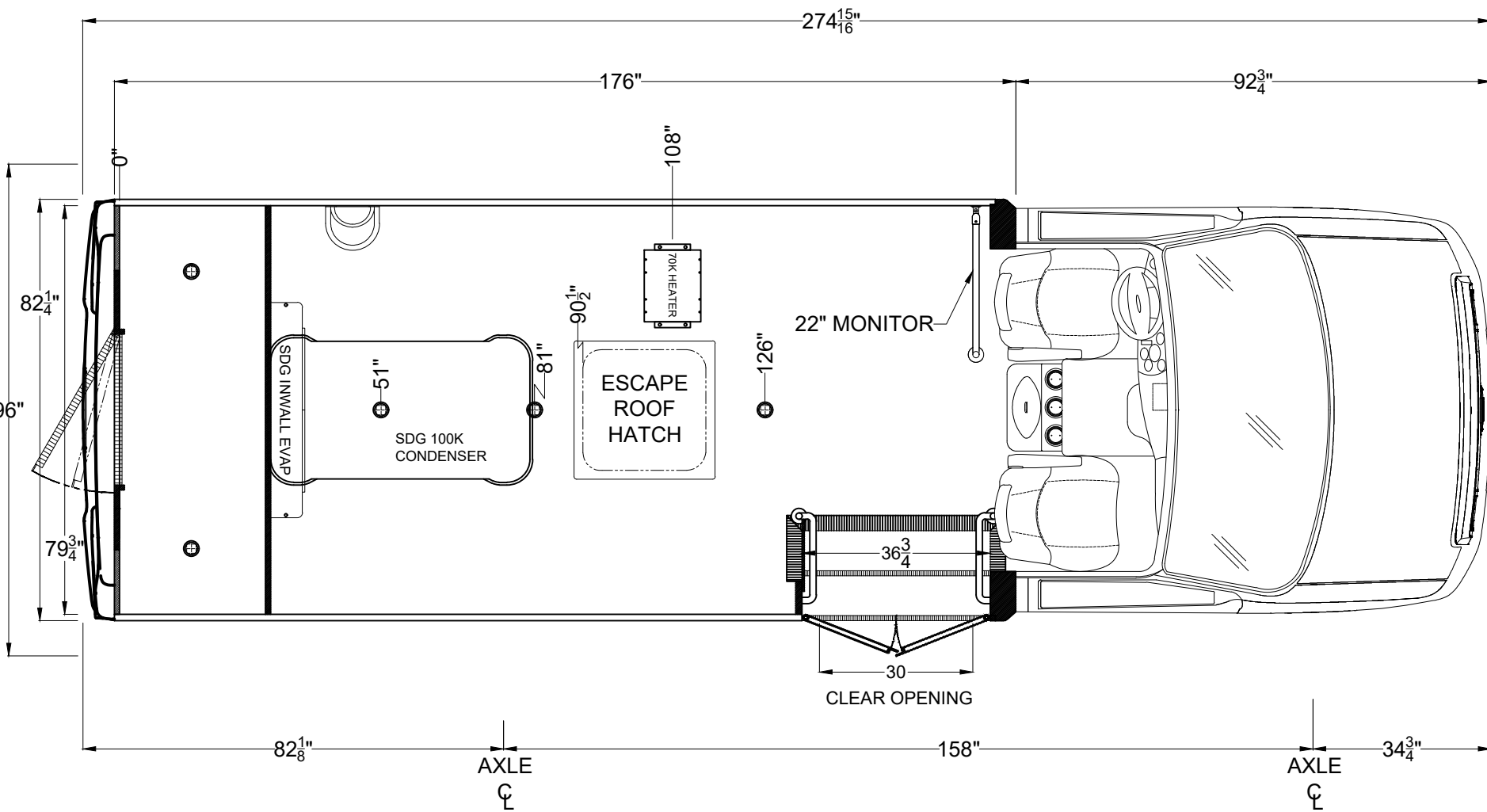


TURTLE TOP
"To furnish the customer the best mid-sized bus in the industry in both quality of material and workmanship."






TURTLE TOP BODY MODEL: VANTERRA XLT			OVER ALL LENGTH: 22' 11.5"	CHASSIS MAKE: FORD E350	ORDER NUMBER: 397808-397815
DRAFTSMAN: AND	REVISION: ORIG	SCALE: DNS	FLOOR LENGTH: 176"	CHASSIS FUEL TYPE: GAS	CHASSIS GVWR: 12,500 lbs.
DIMENSIONING TOLERANCE = +/- .3"					DRAWING NUMBER: ORDER



NOTES

FILE NAME: 190607-S1_SD29_12 GALLARDO 3PT_28 RL (397600-604,397654-661,397722-397727)

CONTACT TURTLE TOP AT 800-269-2105 FOR AVAILABILITY OF THIS FLOOR LAYOUT IF DRAWING DATE HAS EXCEEDED 90 DAYS. DATE: 11/26/2025

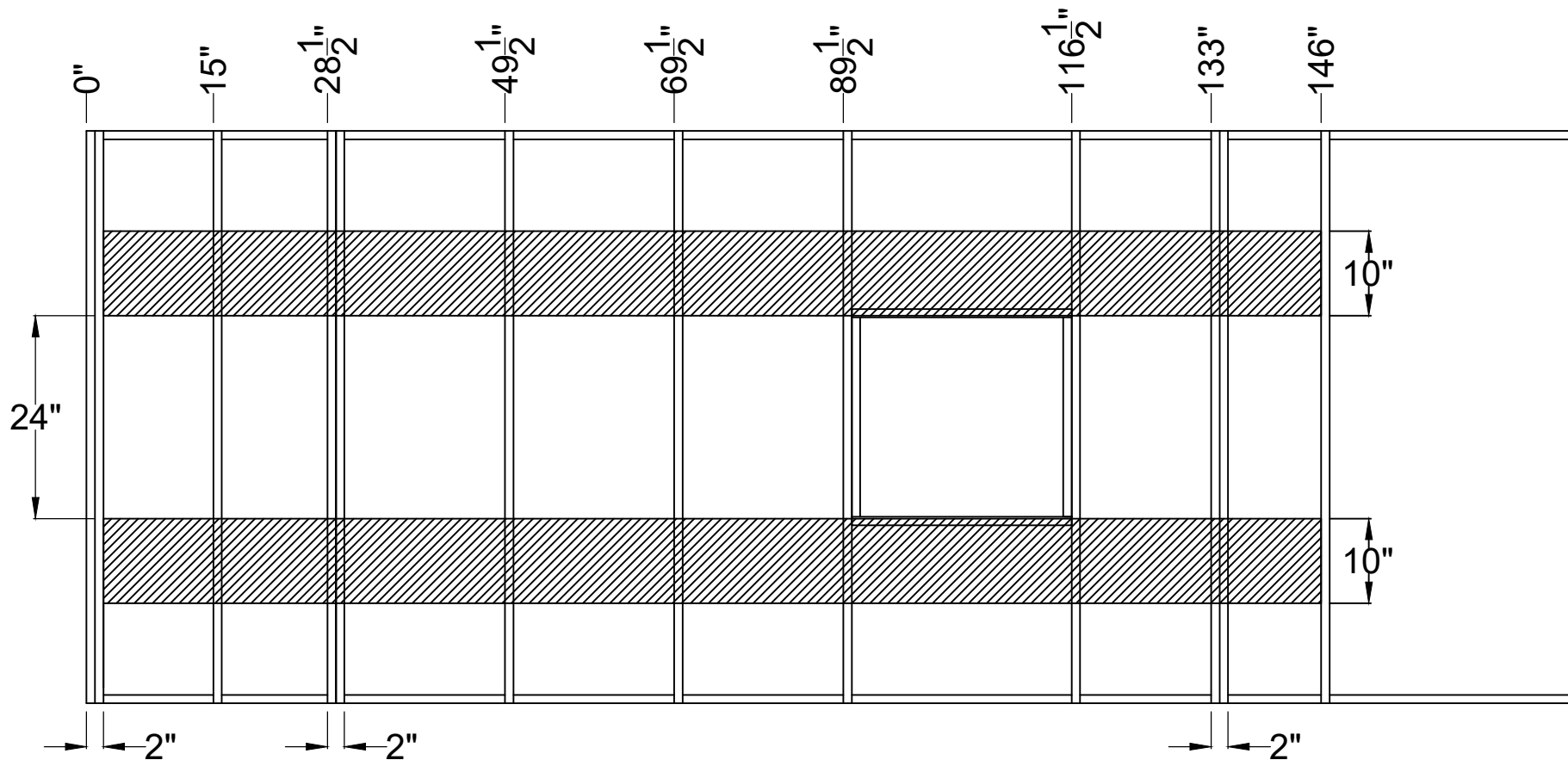
DRIVER SIDE: STANDARD VISTA HEIGHT ELITE TOP "T" SLIDERS ⊕ = EGRESS WINDOW
 WINDOW SPACING
 PASSENGER SIDE:

DRAFTSMAN NOTES:
 *SCENIC WINDOW OVER CAB

TURTLE TOP BODY MODEL: VANERRA XLT
 OVER ALL LENGTH: 22' 11.5"
 FLOOR LENGTH: 176"
 DIMENSIONING TOLERANCE = +/- .3"

TURTLE TOP
 "To furnish the customer the best mid-sized bus in the industry in both quality of material and workmanship."

CHASSIS MAKE: FORD E350
 CHASSIS FUEL TYPE: GAS
 CHASSIS GVWR: 12,500 lbs.
 ORDER NUMBER: 397808-397815
 DRAWING NUMBER: ORDER



NOTES

FILE NAME: 190607-S1_SD29_12 GALLARDO 3PT_28 RL (397600-604,397654-661,397722-397727)

CONTACT TURTLE TOP AT 800-269-2105 FOR AVAILABILITY OF THIS FLOOR LAYOUT IF DRAWING DATE HAS EXCEEDED 90 DAYS.

DATE: 11/26/2025

 = INTERIOR STEEL BACKER

DRIVER SIDE: STANDARD VISTA HEIGHT ELITE TOP "T" SLIDERS EGRESS WINDOW
 WINDOW SPACING: PASSENGER SIDE:

THIS DRAWING AND THE INFORMATION CONTAINED THEREON ARE THE EXCLUSIVE PROPERTY OF TURTLE TOP AND SHALL NOT BE COPIED OR DUPLICATED IN ANY MANNER WITHOUT OUR WRITTEN CONSENT

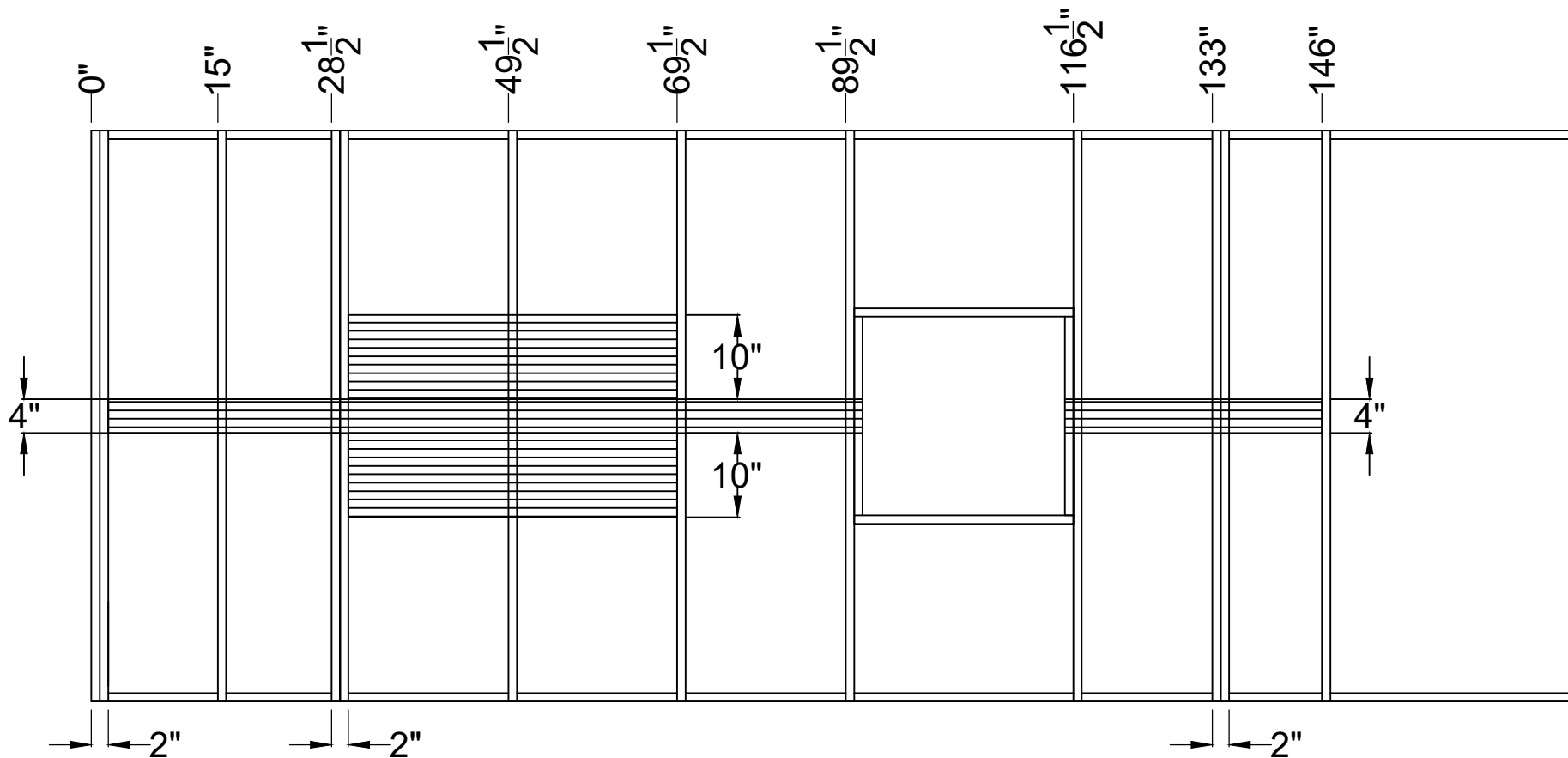
DRAFTSMAN NOTES:
 *SCENIC WINDOW OVER CAB



TURTLE TOP
"To furnish the customer the best mid-sized bus in the industry in both quality of material and workmanship."



DRAFTSMAN: AND		REVISION: ORIG	SCALE: DNS	TURTLE TOP BODY MODEL: VANERRA XLT	OVER ALL LENGTH: 22' 11.5"	CHASSIS MAKE: FORD E350	ORDER NUMBER: 397808-397815
DIMENSIONING TOLERANCE = +/- .3"				FLOOR LENGTH: 176"	CHASSIS FUEL TYPE: GAS	CHASSIS GVWR: 12,500 lbs.	DRAWING NUMBER: ORDER



NOTES

FILE NAME: 190607-S1_SD29_12 GALLARDO 3PT_28 RL (397600-604,397654-661,397722-397727)

CONTACT TURTLE TOP AT 800-269-2105 FOR AVAILABILITY OF THIS FLOOR LAYOUT IF DRAWING DATE HAS EXCEEDED 90 DAYS. DATE: 11/26/2025

 = EXTERIOR STEEL BACKER

DRIVER SIDE: STANDARD VISTA HEIGHT ELITE TOP "T" SLIDERS  = EGRESS WINDOW
 PASSENGER SIDE:

DRAFTSMAN NOTES:
 *SCENIC WINDOW OVER CAB

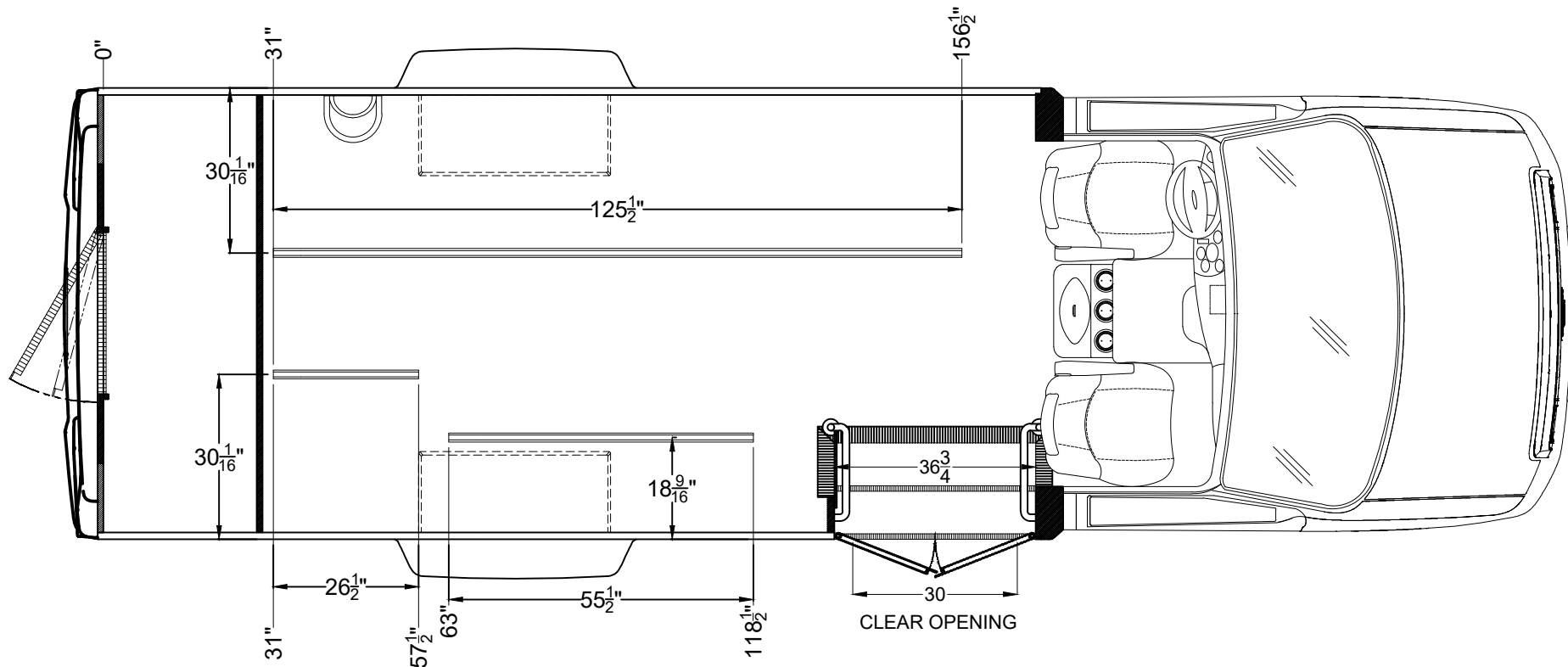
THIS DRAWING AND THE INFORMATION CONTAINED THEREON ARE THE EXCLUSIVE PROPERTY OF TURTLE TOP AND SHALL NOT BE COPIED OR DUPLICATED IN ANY MANNER WITHOUT OUR WRITTEN CONSENT



TURTLE TOP
"To furnish the customer the best mid-sized bus in the industry in both quality of material and workmanship."



TURTLE TOP BODY MODEL: VANTERRA XLT		OVER ALL LENGTH: 22' 11.5"	CHASSIS MAKE: FORD E350	ORDER NUMBER: 397808-397815
DRAFTSMAN: AND	REVISION: ORIG	SCALE: DNS	FLOOR LENGTH: 176"	CHASSIS FUEL TYPE: GAS
DIMENSIONING TOLERANCE = +/- 3"			CHASSIS GVWR: 12,500 lbs.	DRAWING NUMBER: ORDER



NOTES

FILE NAME: 190607-S1_SD29_12 GALLARDO 3PT_28 RL (397600-604,397654-661,397722-397727)

CONTACT TURTLE TOP AT 800-269-2105 FOR AVAILABILITY OF THIS FLOOR LAYOUT IF DRAWING DATE HAS EXCEEDED 90 DAYS. DATE: 11/26/2025

DRIVER SIDE: STANDARD VISTA HEIGHT ELITE TOP "T" SLIDERS EGRESS WINDOW
 PASSENGER SIDE:

DRAFTSMAN NOTES:
 *THIS DRAWING AND THE INFORMATION CONTAINED THEREON ARE THE EXCLUSIVE PROPERTY OF TURTLE TOP AND SHALL NOT BE COPIED OR DUPLICATED IN ANY MANNER WITHOUT OUR WRITTEN CONSENT.
 *SCENIC WINDOW OVER CAB

TURTLE TOP
 "To furnish the customer the best mid-sized bus in the industry in both quality of material and workmanship."

TURTLE TOP BODY MODEL: VANTERRA XLT			OVER ALL LENGTH: 22' 11.5"	CHASSIS MAKE: FORD E350	ORDER NUMBER: 397808-397815
DRAFTSMAN: AND	REVISION: ORIG	SCALE: DNS	FLOOR LENGTH: 176"	CHASSIS FUEL TYPE: GAS	CHASSIS GVWR: 12,500 lbs.
DIMENSIONING TOLERANCE = +/- .3"				DRAWING NUMBER: ORDER	