

NOTES

FILE NAME: 190607-S1_SD29_12 GALLARDO 3PT_28 RL (397600-604,397654-661)

CONTACT TURTLE TOP AT 800-269-2105 FOR AVAILABILITY OF THIS FLOOR LAYOUT IF DRAWING DATE HAS EXCEEDED 90 DAYS. DATE: 1/15/2025

= USB A & C COMBO CHARGING PORT

DRIVER SIDE: 38.125 / 29 / 2 / 2-3-4 / 11.875 / 4 = EGRESS WINDOW
 WINDOW SPACING: STANDARD VISTA HEIGHT ELITE TOP "T" SLIDERS
 PASSENGER SIDE: 38.125 / 29 / 2 / 2-3 / 5.125 / 36.75 / 1 / 4

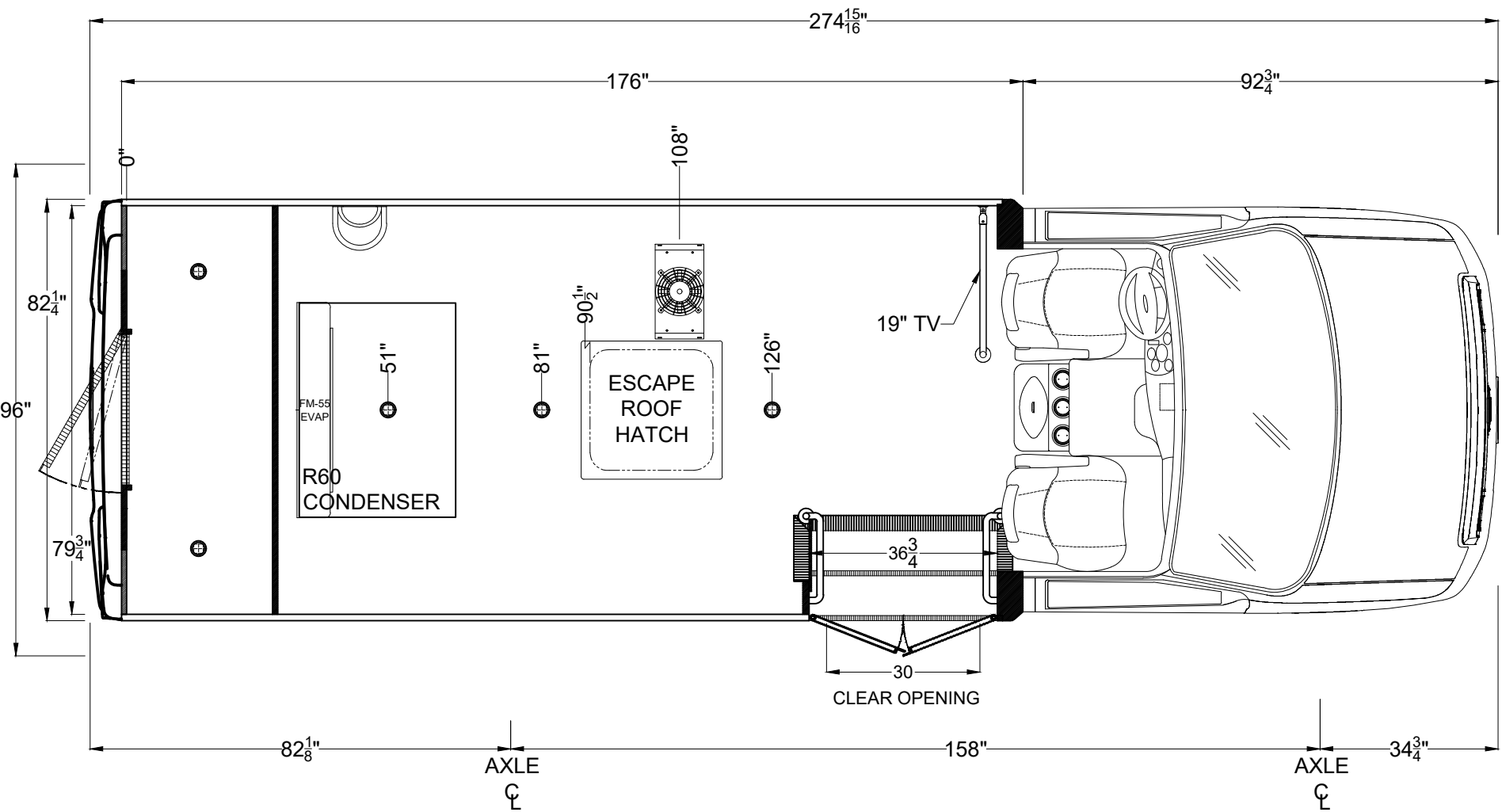
DRAFTSMAN NOTES:
 *SCENIC WINDOW OVER CAB

THIS DRAWING AND THE INFORMATION CONTAINED THEREON ARE THE EXCLUSIVE PROPERTY OF TURTLE TOP AND SHALL NOT BE COPIED OR DUPLICATED IN ANY MANNER WITHOUT OUR WRITTEN CONSENT

TURTLE TOP
 "To furnish the customer the best mid-sized bus in the industry in both quality of material and workmanship."



TURTLE TOP BODY MODEL: VANTERRA XLT			OVER ALL LENGTH: 22' 11.5"	CHASSIS MAKE: FORD E350	ORDER NUMBER: 397722-397727
DRAFTSMAN: AND	REVISION: ORIG	SCALE: DNS	FLOOR LENGTH: 176"	CHASSIS FUEL TYPE: GAS	CHASSIS GVWR: 12,500 lbs.
DIMENSIONING TOLERANCE = +/- .3"					DRAWING NUMBER: ORDER



NOTES

FILE NAME: 190607-S1_SD29_12 GALLARDO 3PT_28 RL (397600-604,397654-661)

CONTACT TURTLE TOP AT 800-269-2105 FOR AVAILABILITY OF THIS FLOOR LAYOUT IF DRAWING DATE HAS EXCEEDED 90 DAYS. DATE: 1/15/2025

DRIVER SIDE: STANDARD VISTA HEIGHT ELITE TOP "T" SLIDERS ⊕ = EGRESS WINDOW

PASSENGER SIDE:

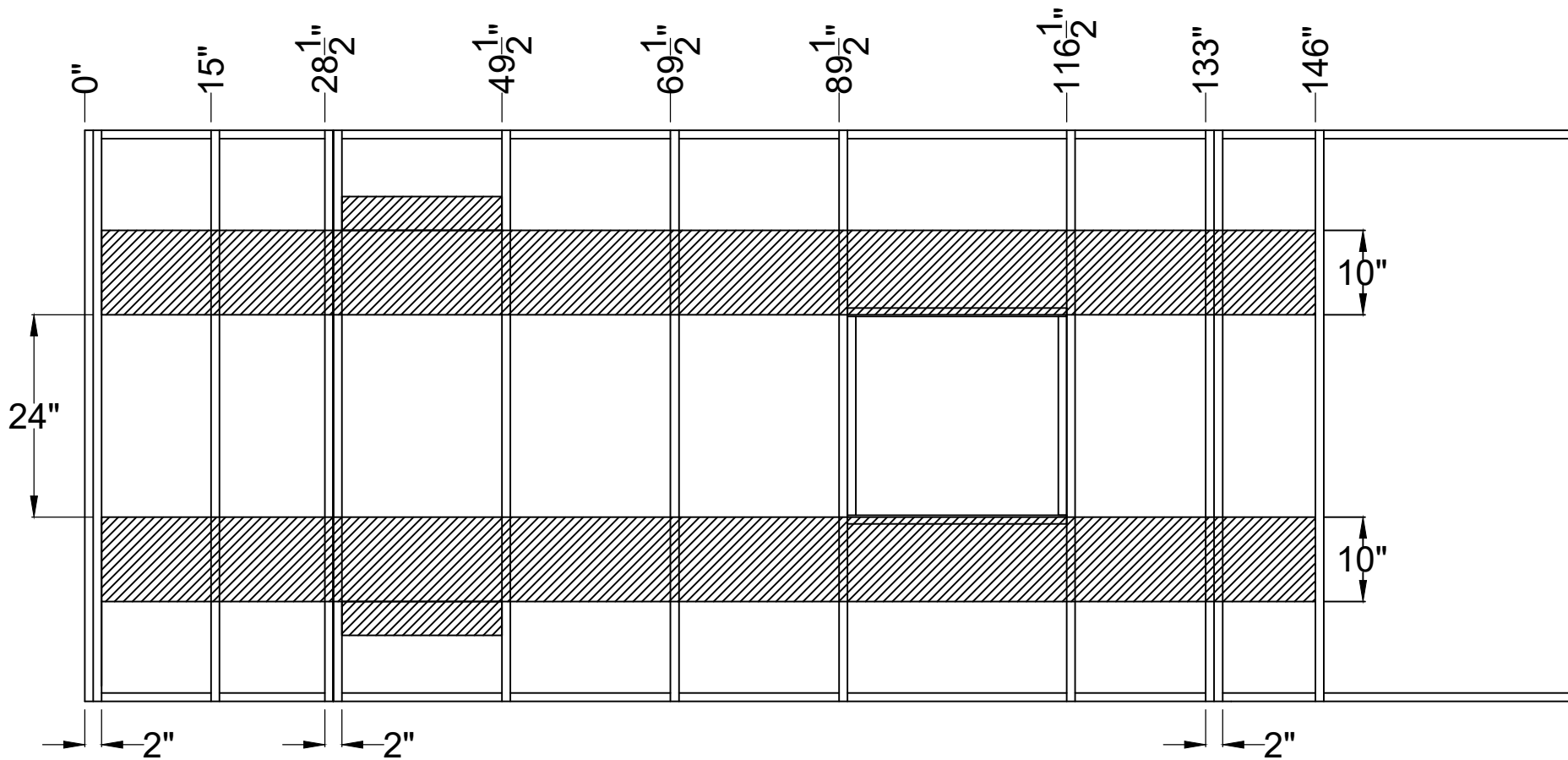
THIS DRAWING AND THE INFORMATION CONTAINED THEREON ARE THE EXCLUSIVE PROPERTY OF TURTLE TOP AND SHALL NOT BE COPIED OR DUPLICATED IN ANY MANNER WITHOUT OUR WRITTEN CONSENT

DRAFTSMAN NOTES:
 *SCENIC WINDOW OVER CAB

TURTLE TOP
"To furnish the customer the best mid-sized bus in the industry in both quality of material and workmanship."



TURTLE TOP BODY MODEL: VANTERRA XLT			OVER ALL LENGTH: 22' 11.5"		CHASSIS MAKE: FORD E350		ORDER NUMBER: 397722-397727	
DRAFTSMAN: AND	REVISION: ORIG	SCALE: DNS	DIMENSIONING TOLERANCE = +/- .3"		FLOOR LENGTH: 176"	CHASSIS FUEL TYPE: GAS	CHASSIS GVWR: 12,500 lbs.	DRAWING NUMBER: ORDER



NOTES

FILE NAME: 190607-S1_SD29_12 GALLARDO 3PT_28 RL (397600-604,397654-661)

CONTACT TURTLE TOP AT 800-269-2105 FOR AVAILABILITY OF THIS FLOOR LAYOUT IF DRAWING DATE HAS EXCEEDED 90 DAYS.

DATE: 1/15/2025

 = INTERIOR STEEL BACKER

DRIVER SIDE- WINDOW SPACING: STANDARD VISTA HEIGHT ELITE TOP "T" SLIDERS EGRESS WINDOW
 PASSENGER SIDE-

THIS DRAWING AND THE INFORMATION CONTAINED THEREON ARE THE EXCLUSIVE PROPERTY OF TURTLE TOP AND SHALL NOT BE COPIED OR DUPLICATED IN ANY MANNER WITHOUT OUR WRITTEN CONSENT.

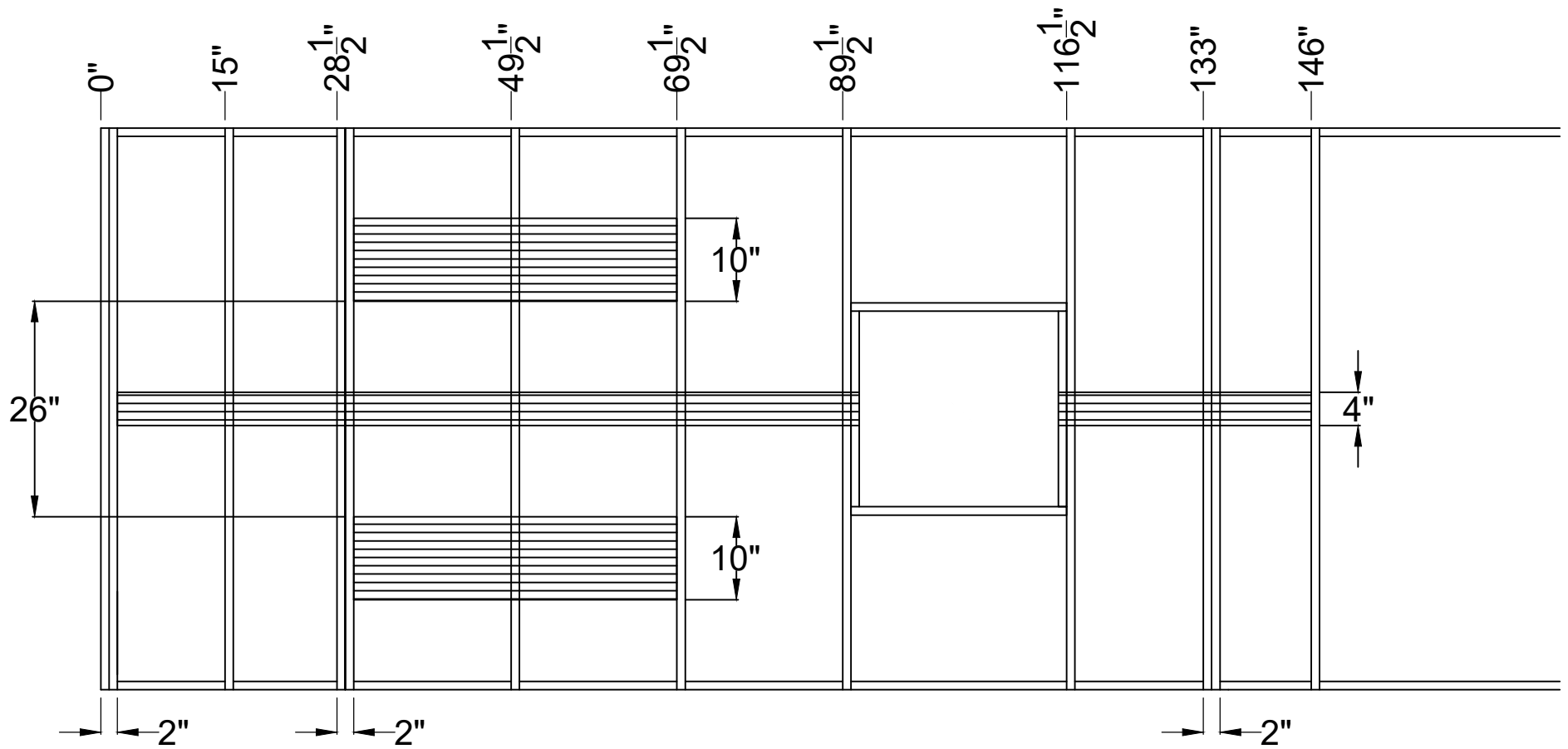
DRAFTSMAN NOTES:
 *SCENIC WINDOW OVER CAB



TURTLE TOP
"To furnish the customer the best mid-sized bus in the industry in both quality of material and workmanship."



TURTLE TOP BODY MODEL: VANTERRA XLT		OVER ALL LENGTH: 22' 11.5"	CHASSIS MAKE: FORD E350	ORDER NUMBER: 397722-397727
DRAFTSMAN: AND	REVISION: ORIG	SCALE: DNS	FLOOR LENGTH: 176"	DRAWING NUMBER: ORDER
DIMENSIONING TOLERANCE = +/- 3"		CHASSIS FUEL TYPE: GAS	CHASSIS GVWR: 12,500 lbs.	



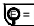
NOTES

FILE NAME: 190607-S1_SD29_12 GALLARDO 3PT_28 RL (397600-604,397654-661)

CONTACT TURTLE TOP AT 800-269-2105 FOR AVAILABILITY OF THIS FLOOR LAYOUT IF DRAWING DATE HAS EXCEEDED 90 DAYS.

DATE: 1/15/2025

 = EXTERIOR STEEL BACKER

DRIVER SIDE- WINDOW SPACING: STANDARD VISTA HEIGHT ELITE TOP "T" SLIDERS  = EGRESS WINDOW
 PASSENGER SIDE-

THIS DRAWING AND THE INFORMATION CONTAINED THEREON ARE THE EXCLUSIVE PROPERTY OF TURTLE TOP AND SHALL NOT BE COPIED OR DUPLICATED IN ANY MANNER WITHOUT OUR WRITTEN CONSENT

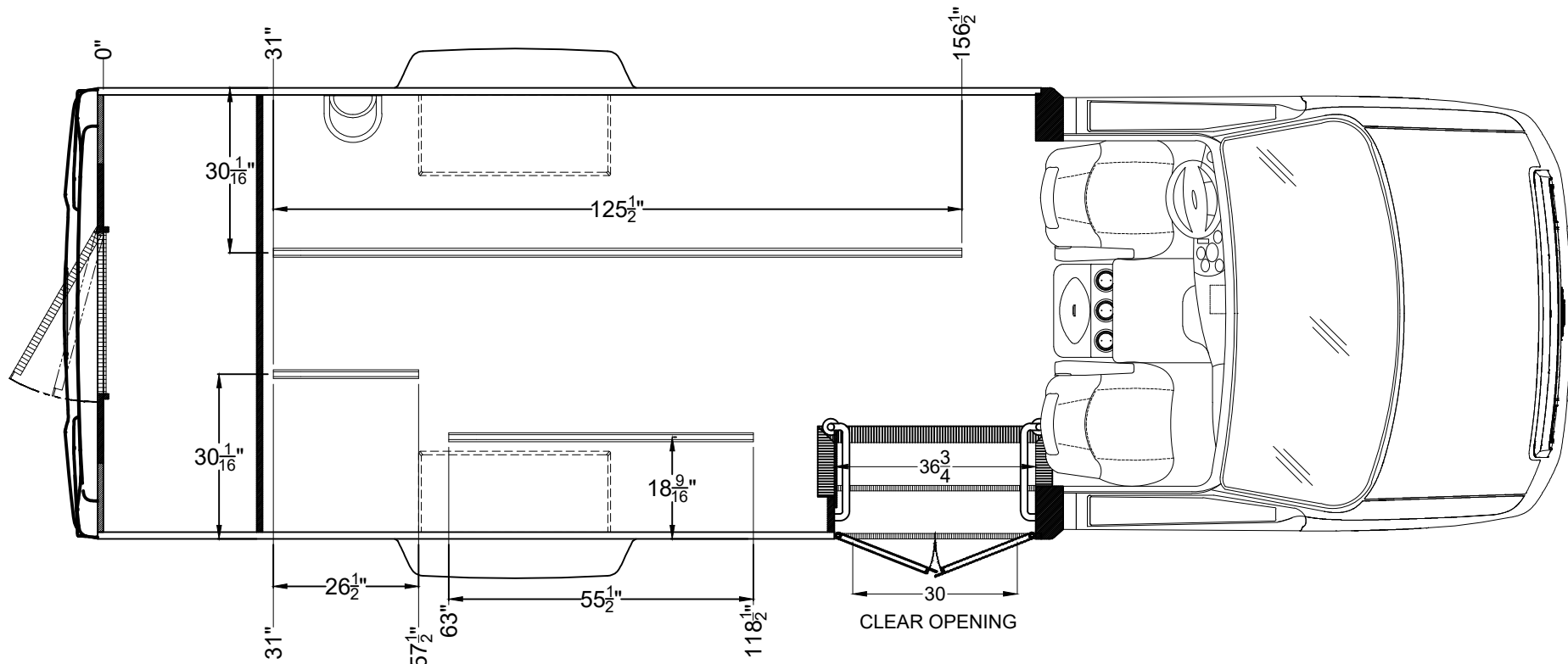
DRAFTSMAN NOTES:
 *SCENIC WINDOW OVER CAB



TURTLE TOP
"To furnish the customer the best mid-sized bus in the industry in both quality of material and workmanship."



TURTLE TOP BODY MODEL: VANTERRA XLT		OVER ALL LENGTH: 22' 11.5"	CHASSIS MAKE: FORD E350	ORDER NUMBER: 397722-397727
DRAFTSMAN: AND	REVISION: ORIG	SCALE: DNS	FLOOR LENGTH: 176"	CHASSIS FUEL TYPE: GAS
DIMENSIONING TOLERANCE = +/- .3"			CHASSIS GVWR: 12,500 lbs.	DRAWING NUMBER: ORDER



NOTES

FILE NAME: 190607-S1_SD29_12 GALLARDO 3PT_28 RL (397600-604,397654-661)

CONTACT TURTLE TOP AT 800-269-2105 FOR AVAILABILITY OF THIS FLOOR LAYOUT IF DRAWING DATE HAS EXCEEDED 90 DAYS.

DATE: 1/15/2025

DRIVER SIDE: STANDARD VISTA HEIGHT ELITE TOP "T" SLIDERS  EGRESS WINDOW
 PASSENGER SIDE:

THIS DRAWING AND THE INFORMATION CONTAINED THEREON ARE THE EXCLUSIVE PROPERTY OF TURTLE TOP AND SHALL NOT BE COPIED OR DUPLICATED IN ANY MANNER WITHOUT OUR WRITTEN CONSENT

DRAFTSMAN NOTES:
 *SCENIC WINDOW OVER CAB



TURTLE TOP
 "To furnish the customer the best mid-sized bus in the industry in both quality of material and workmanship."



TURTLE TOP BODY MODEL: VANTERRA XLT			OVER ALL LENGTH: 22' 11.5"	CHASSIS MAKE: FORD E350	ORDER NUMBER: 397722-397727
DRAFTSMAN: AND	REVISION: ORIG	SCALE: DNS	FLOOR LENGTH: 176"	CHASSIS FUEL TYPE: GAS	CHASSIS GVWR: 12,500 lbs.
DIMENSIONING TOLERANCE = +/- .3"				DRAWING NUMBER: ORDER	